

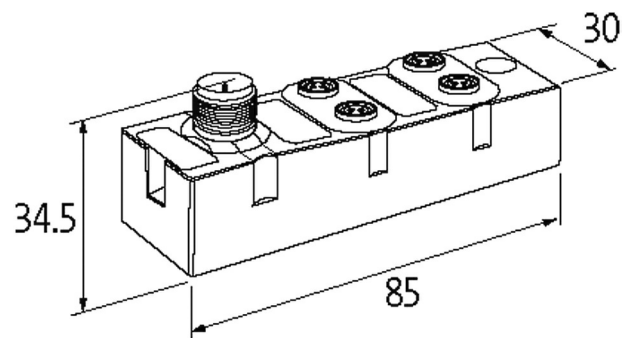
MASI68 DI4/0,18A AB 4xM8

Compact module

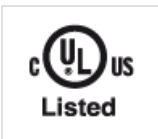
DI4 - 0.18 A (C) - 4x M8 (AB)

Connection cables are in the online shop under "Connection Technology".

Housing fully potted.

Illustration

Product may differ from Image

Approvals**Input**

Type	for 3-wire sensors or mechanical switches, PNP
Sensor supply US	max. 180 mA from AS-Interface (short-circuit and overload protected)

Connections

Fieldbus	A-coded
I/O ports	M8, 3-pole

General data

Protection	IP68
Mounting method	screw fixing
Temperature range	-20...+60 °C (storage temperature -20...+70 °C)
Dimensions H×W×D	85×30×34.5 mm

Technical Data

Bus voltage (AS-Interface)	26.5...31.6 V DC
----------------------------	------------------

Addressing	via master or M12 connection and programming device
Address range	1...62 (1...31 A or B)
Profile (IO/ID/ID2 code)	S-0.A.2
Total current	max. 250 mA

Diagnostic

Communication status	via LED
Diagnostic via LED	per module
Monitoring - no voltage	yes

Commercial data

country of origin	DE
customs tariff number	85176200
EAN	4048879048835
eClass	27242604
Packaging unit	1